

# USS Arizona Memorial

Paper model by Pete Pellegrino

Figure 1b.

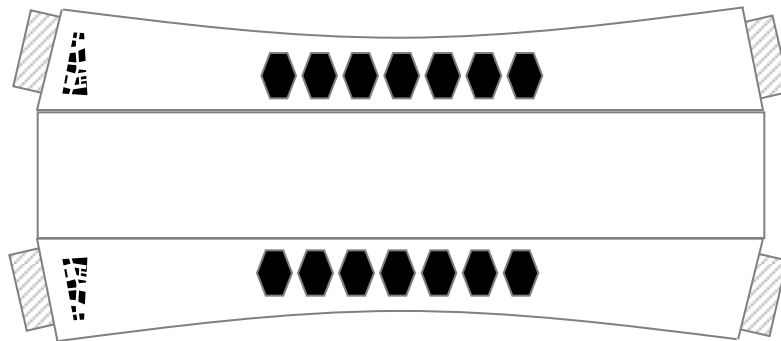
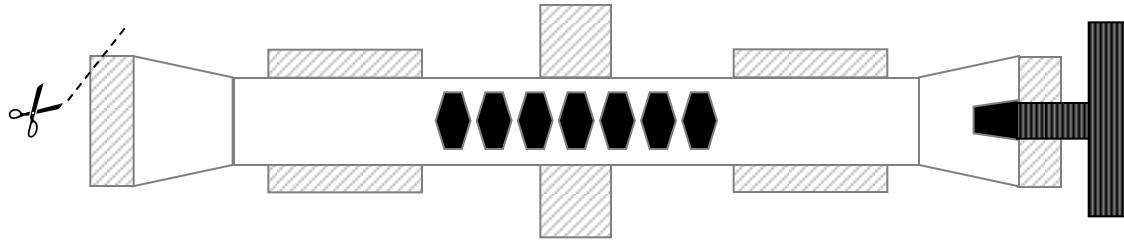


Figure 1a.

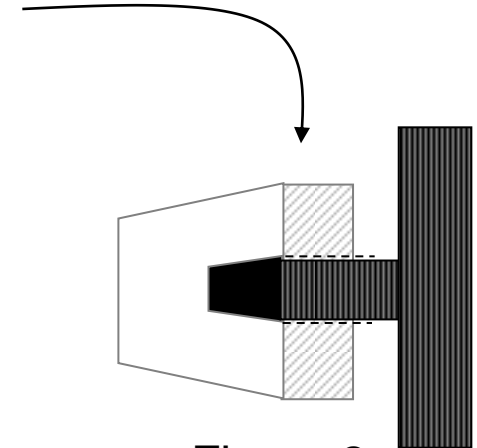
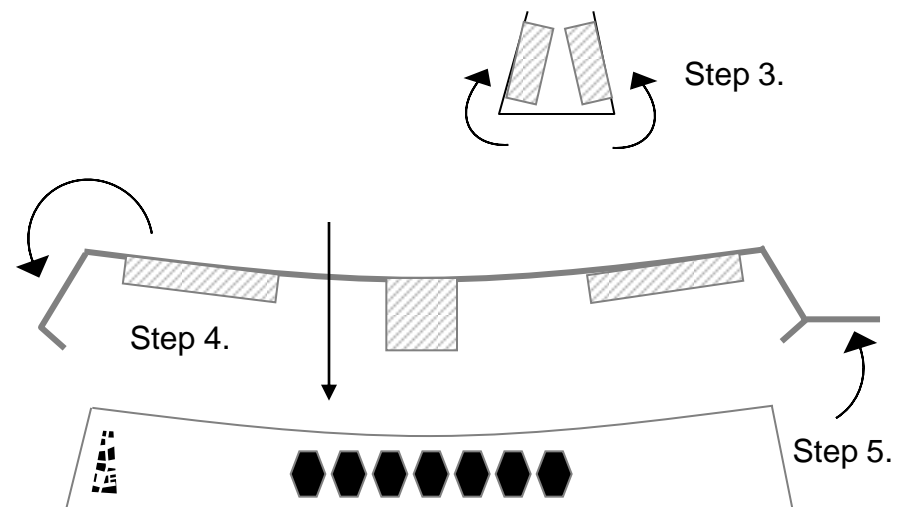


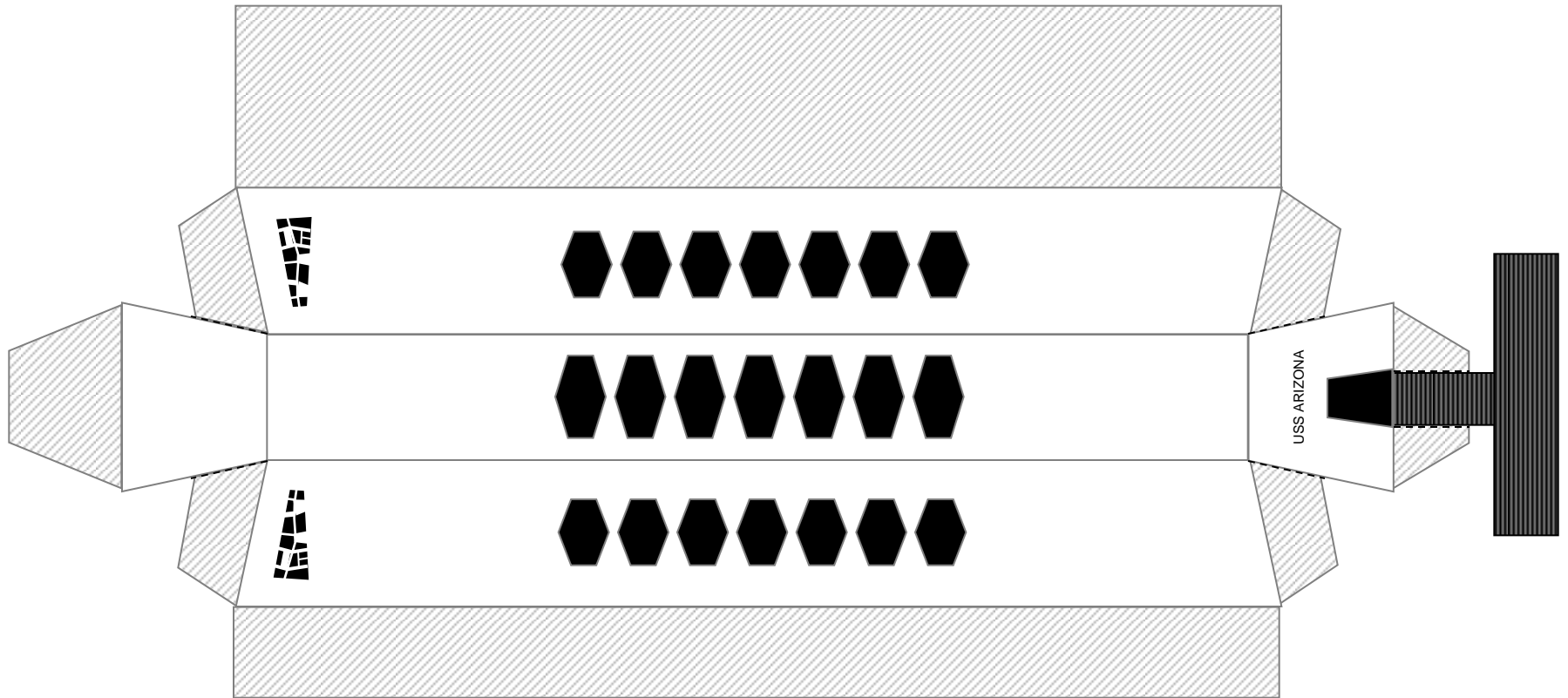
Figure 2.

1. Cut out Figs. 1a and 1b along outside lines.
2. Make interior cuts along sides of walkway (see Fig. 2). Clip corners from shaded tabs.
3. Fold up sides of Fig. 1a, bend inward shaded tabs. Score lines to make folding easier.
4. Bend inward shaded tabs on roof (Fig. 1b). Fold down memorial ends. Set in place on top of Fig. 1a.
5. Fold pier upward.
6. Tape or glue roof in place.



# USS Arizona Memorial (Simplified)

Quick box model by Pete Pellegrino



1. Cut out pattern along outside lines.
2. Cut along dashed interior lines at ends.
3. Fold up into box shape similar to a tooth paste box, tucking in shaded flaps to close ends.
4. Tape or glue bottom seam.
5. Lift up pier into place.

